



O&S Doors Ltd.

Curved Door Guide

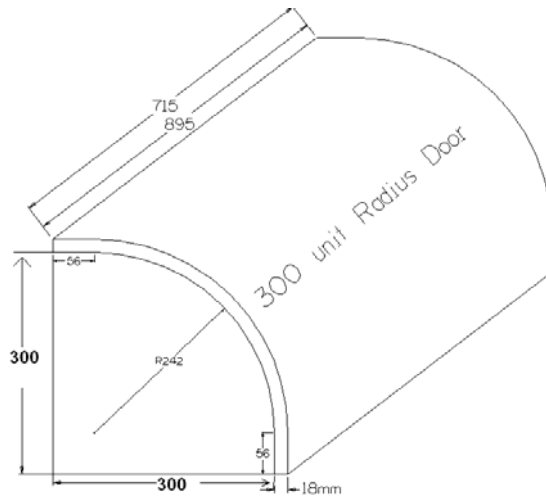


O&S Doors Ltd.

Duleek 300 Unit Curved Door & Cornice

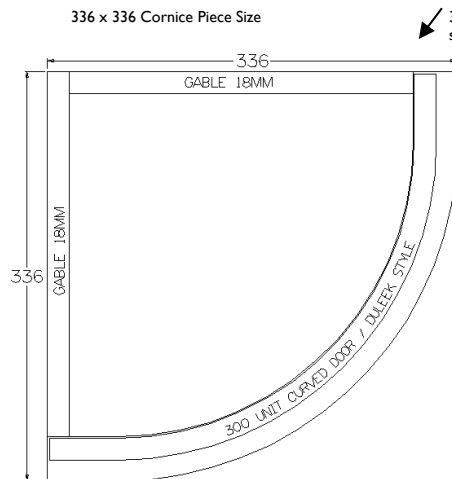
Available in 715,
895, 1245, 1495, 1595,
1965, 2150 & 2250
SILVER BACK

Door View

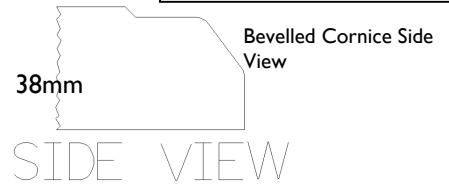


- Ref: DULRD3715295**
- Ref: DULRD3895295**
- Ref: DULRD31245295**
- Ref: DULRD31495295**
- Ref: DULRD31595295**
- Ref: DULRD31965295**
- Ref: DULRD32150295**
- Ref: DULRD32250295**

Top Cornice Bottom Pelmet

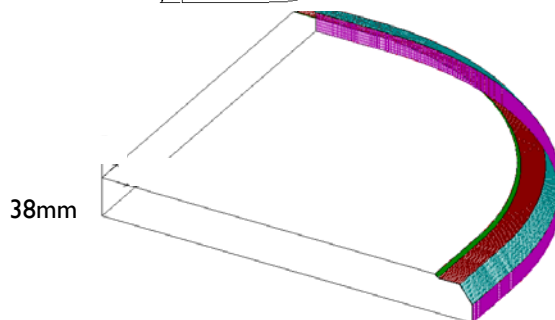


Ref: DULRB3



Bevelled Cornice Corner piece is supplied as a solid piece and not as an arched rail.

3D View



Base Unit Plinth also available for this shape. REF:DULRP3

Straight Bevelled Cornice Lengths also available in 2.5m lengths. Ref :DULSBU

Cornice lengths and corner pieces also to be used as light pelmet.

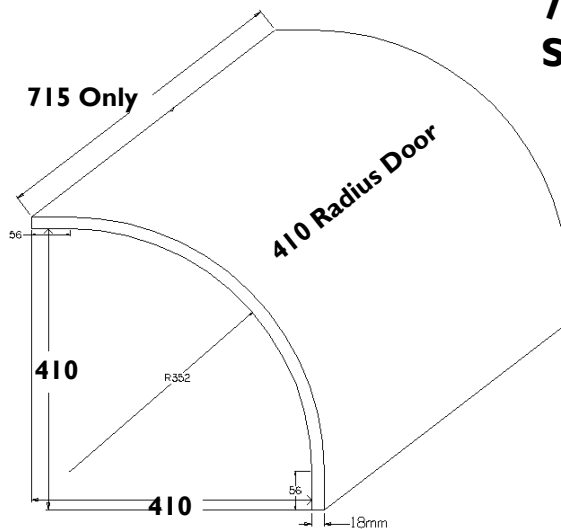
Templates for machining out curved shelves also available. Ref: DULTP300



O&S Doors Ltd.

Duleek 410 Unit Curved Door & Cornice

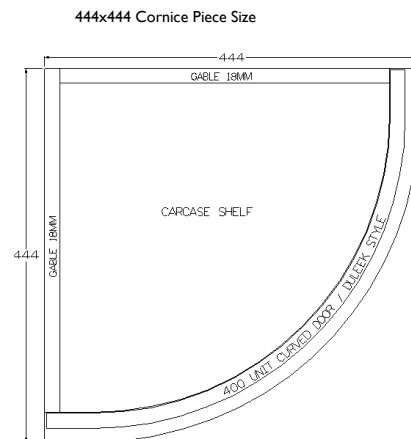
Door View



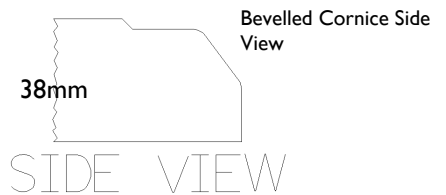
**715 ONLY
SILVER BACK ONLY**

Ref: DULRD4715405

Top Cornice
Bottom Pelmet

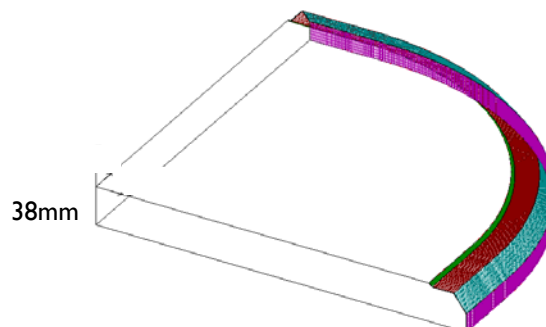


Ref: DULRB4



Bevelled Cornice Corner piece is supplied as a solid piece and not as an arched

3D View



Base Unit Plinth also available for this shape. REF:DULRP4

Straight Bevelled Cornice Lengths also available in 2.5m lengths. Ref :DULSBU

Cornice lengths and corner pieces also to be used as light pelmet.

Templates for machining out curved shelves also available. Ref: DULTP410

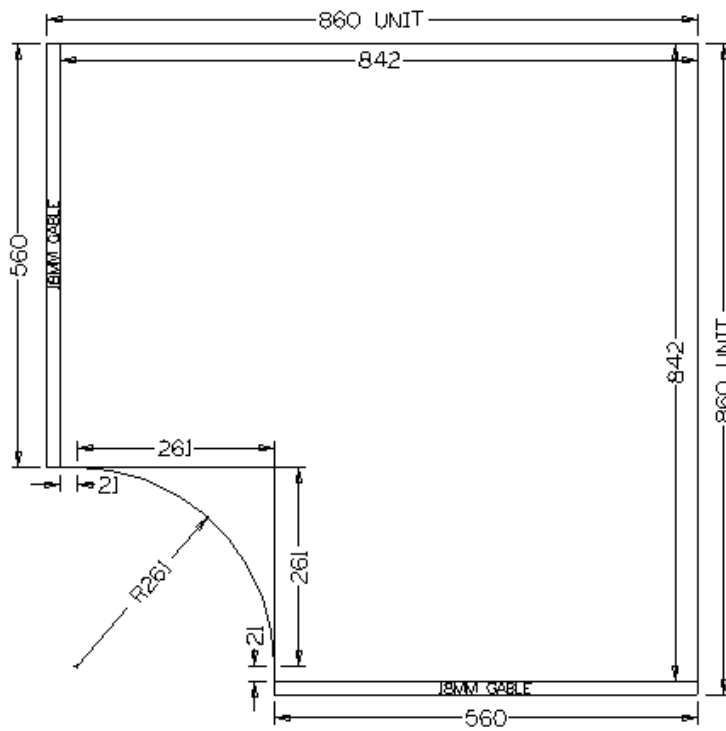


O&S Doors Ltd.

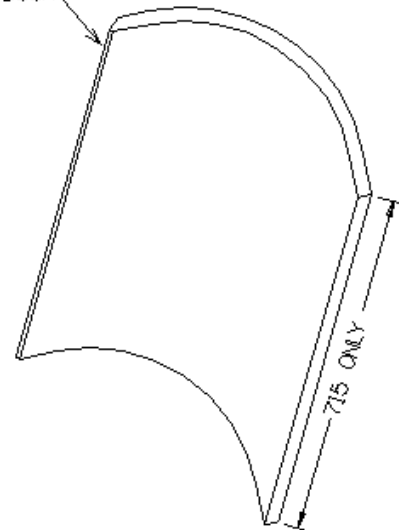
Duleek 300 Concave Door

300 CONCAVE DOOR

560 BASE UNIT CARCASE SHELF



CHAMFERED 1 SIDE FOR
OPENING AGAINST NEXT
DOOR





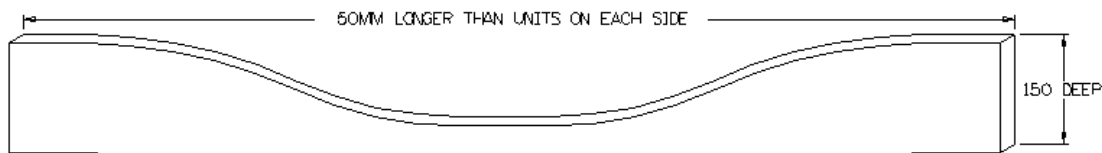
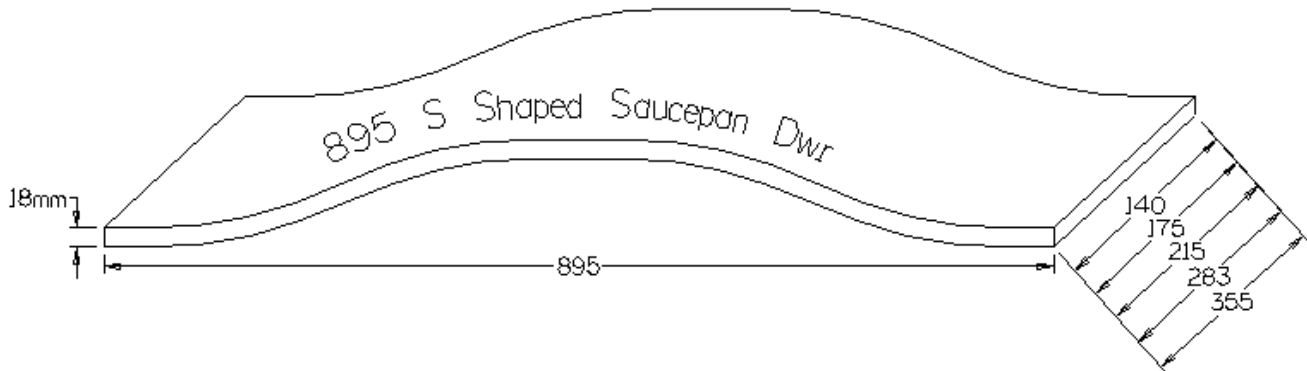
O&S Doors Ltd.

Duleek 895 S Shaped Drawers

895 S Shaped Saucepan Drawers are available in 5 sizes 140,175's,215's 283's, 355's. Order as reference below. Only available in Silver back.

- Ref: DULSDW140895**
- Ref: DULSDW175895**
- Ref: DULSDW215895**
- Ref: DULSDW283895**
- Ref: DULSDW355895**

Drawer View



PLINTH

Base Unit Plinth also available for this shape. REF:DULRP9

Templates for machining out curved shelves also available. Ref: DULTP900



O&S Doors Ltd.

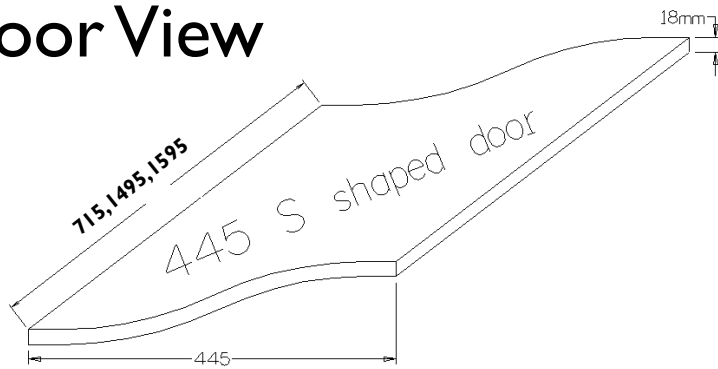
Duleek 445 S Shaped Door & Cornice

Available in 715, 895, 1245, 1495, 1595, 1965, 2150 & 2250
SILVER BACK

- Ref: **DULSDR715445**
- Ref: **DULSDR895445**
- Ref: **DULSDR1245445**
- Ref: **DULSDR1495445**
- Ref: **DULSDR1595445**
- Ref: **DULSDR1965445**
- Ref: **DULSDR2150445**

Ref: **DULSDR2250445**

Door View

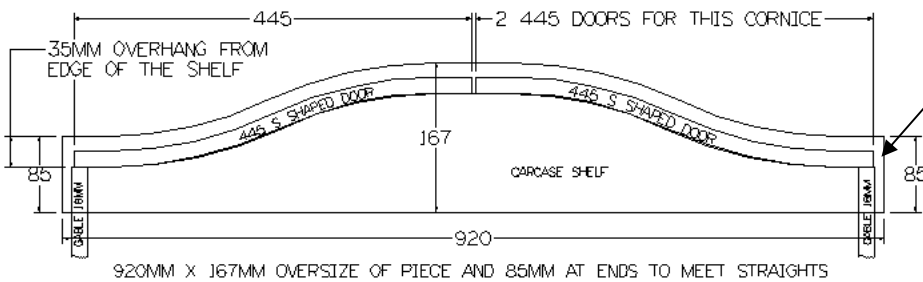


Top Cornice Bottom Pelmet



Bevelled Cornice Side View

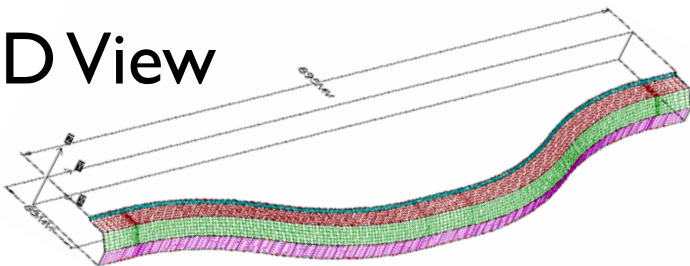
Ref: **DULRB9**



35mm Overhang from shelf edge

Bevelled Cornice Corner piece is supplied as a solid piece and not as an arched

3D View



Base Unit Plinth also available for this shape. REF:DULRP9

Straight Bevelled Cornice Lengths also available in 2.5m lengths. Ref :DULSBU

Cornice lengths and corner pieces also to be used as light pelmet.

Templates for machining out curved shelves also available. Ref: DULTP900

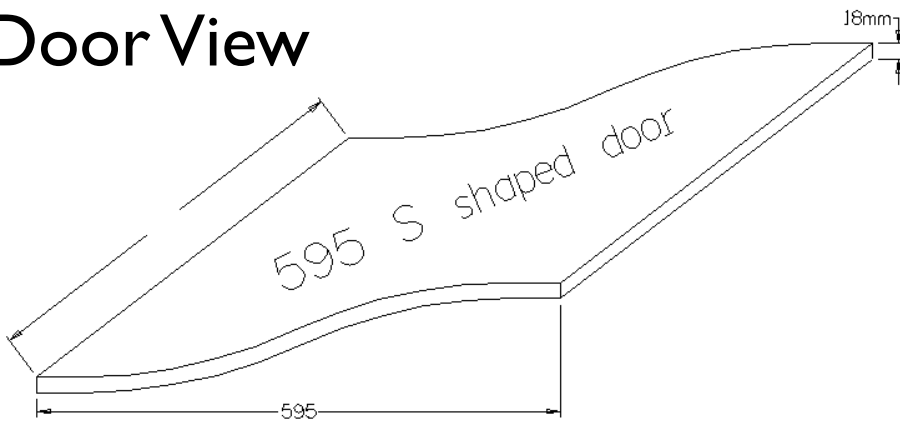


O&S Doors Ltd.

Duleek 595 S Shaped Door & Cornice

Available in 715, 895, 1245, 1495, 1595, 1965, 2150 & 2250 SILVER BACK

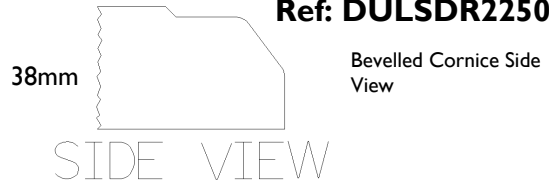
Door View



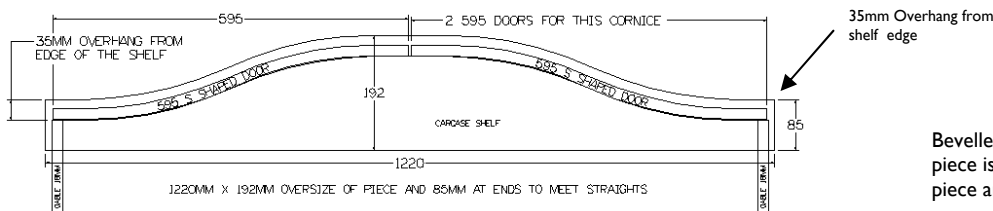
- Ref: DULSDR715595
- Ref: DULSDR895595
- Ref: DULSDR1245595
- Ref: DULSDR1495595
- Ref: DULSDR1595595
- Ref: DULSDR1965595
- Ref: DULSDR2150595

Ref: DULSDR2250595

Top Cornice Bottom Pelmet



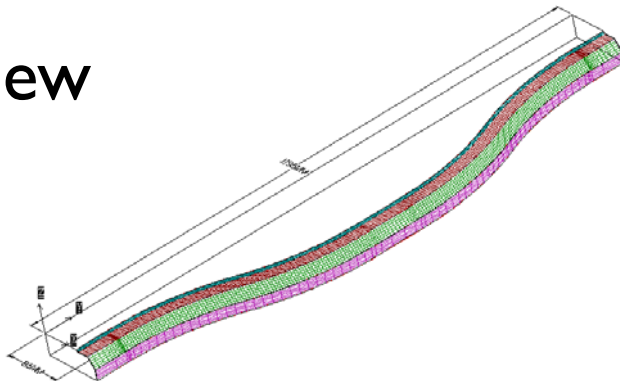
Ref: DULRB12



35mm Overhang from shelf edge

Bevelled Cornice Corner piece is supplied as a solid piece and not as an arched

3D View



Base Unit Plinth also available for this shape. REF:DULRP12

Straight Bevelled Cornice Lengths also available in 2.5m lengths. Ref :DULSBU

Cornice lengths and corner pieces also to be used as light pelmet.

Templates for machining out curved shelves also available. Ref: DULTPI200



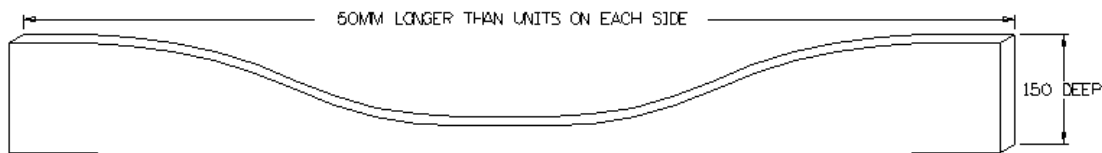
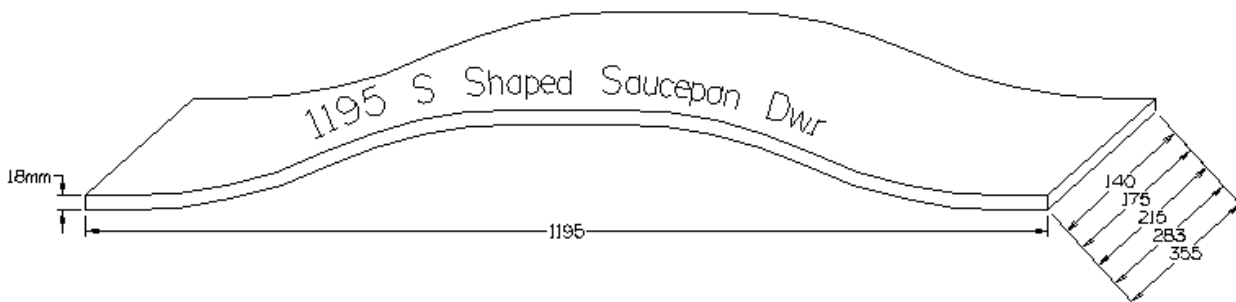
O&S Doors Ltd.

Duleek 1195 S Shaped Drawers

1195 S Shaped Saucepan Drawers are available in 5 sizes 140,175's,215's 283's, 355's. Order as reference below. Only available in Silver back.

- Ref: DULSDW1401195**
- Ref: DULSDW1751195**
- Ref: DULSDW2151195**
- Ref: DULSDW2831195**
- Ref: DULSDW3551195**

Drawer View



PLINTH

Base Unit Plinth also available for this shape. REF:DULRP12

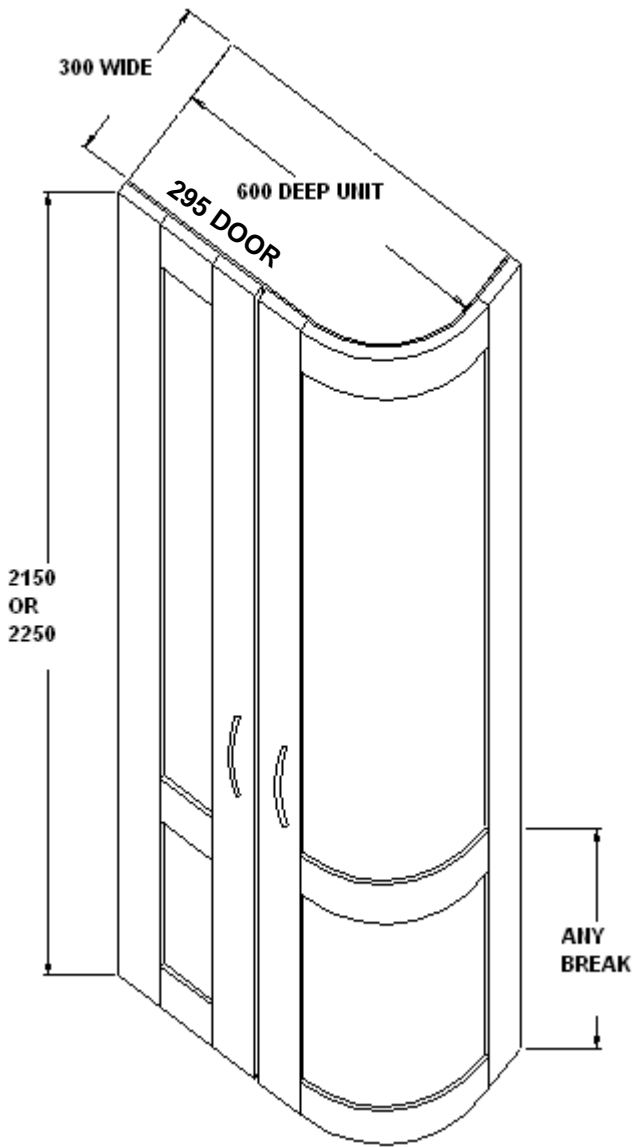
Templates for machining out curved shelves also available. Ref: DULTPI200



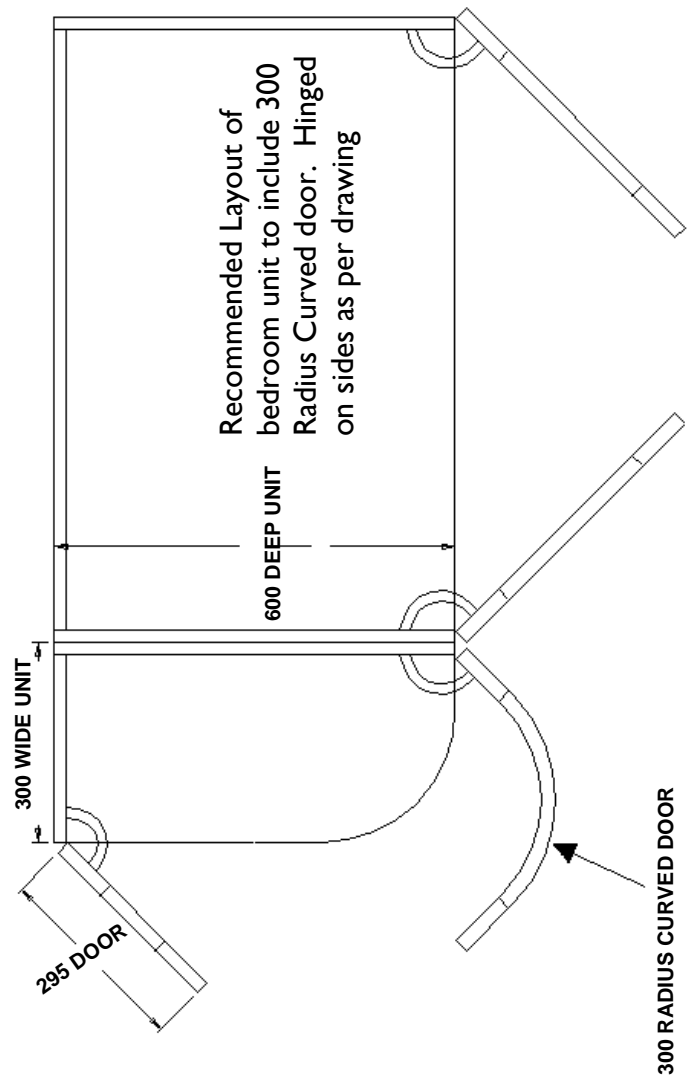
O&S Doors Ltd.

TUSCANY 600 BEDROOM UNIT CARCASS PLAN.

Door View



Carcass Plan

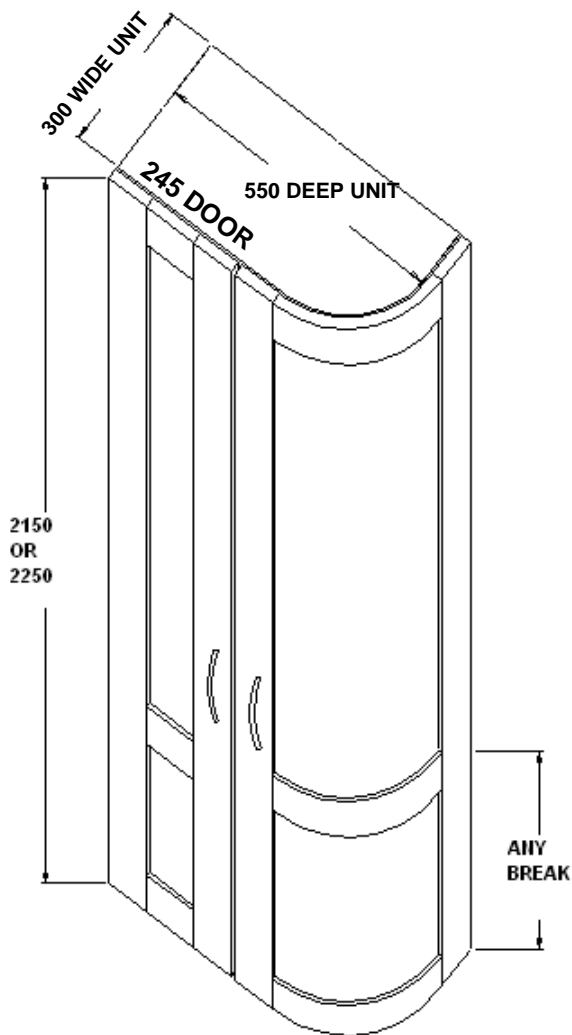




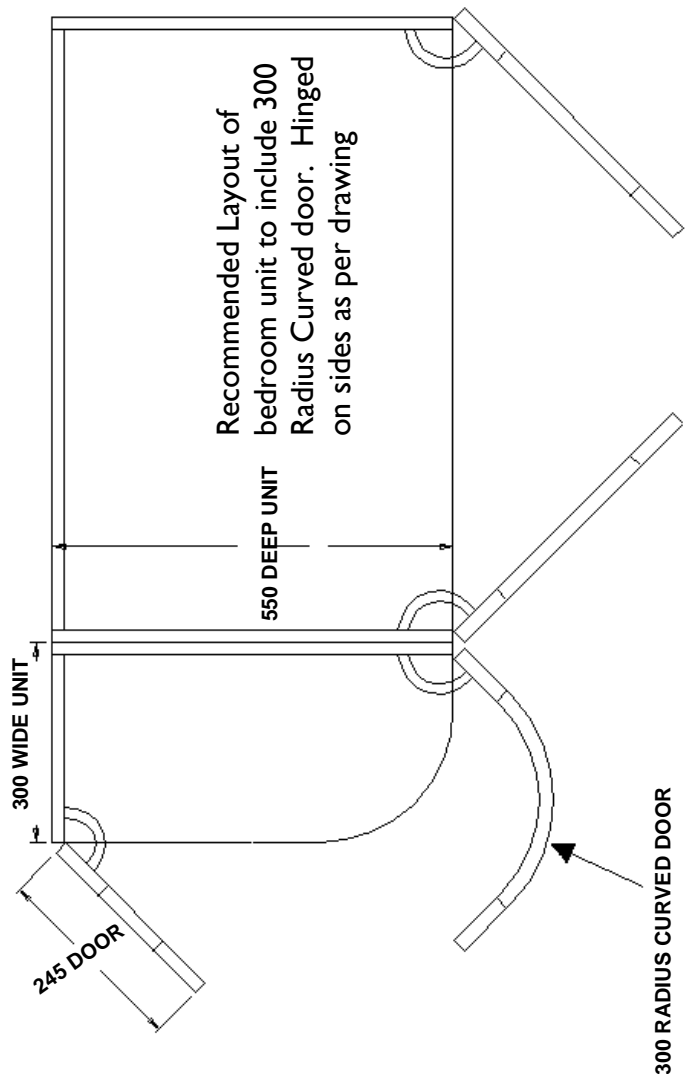
O&S Doors Ltd.

TUSCANY 550 BEDROOM UNIT CARCASS PLAN.

Door View



Carcass Plan



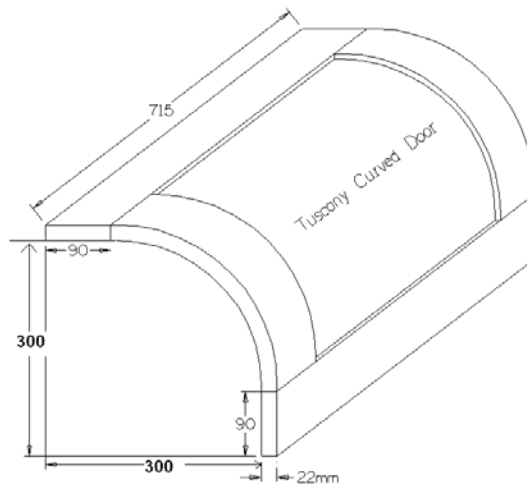


O&S Doors Ltd.

Tuscany 300 Unit Door & Cornice

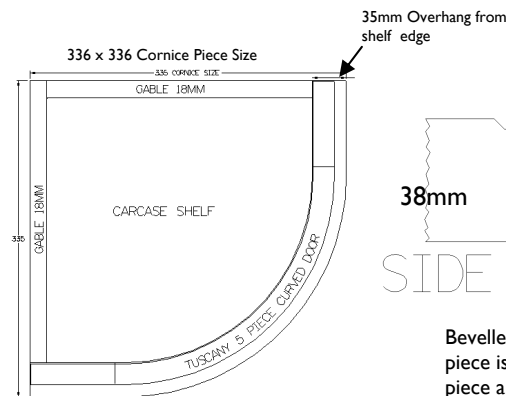
Available in 715,
895, 1245, 1495, 1595,
1965, 2150 & 2250
ONLY.

Door View



- Ref: TUSRD3715295
- Ref: TUSRD3895295
- Ref: TUSRD31245295
- Ref: TUSRD31495295
- Ref: TUSRD31595295
- Ref: TUSRD31965295
- Ref: TUSRD32150295
- Ref: TUSRD32250295

Top Cornice Bottom Pelmet

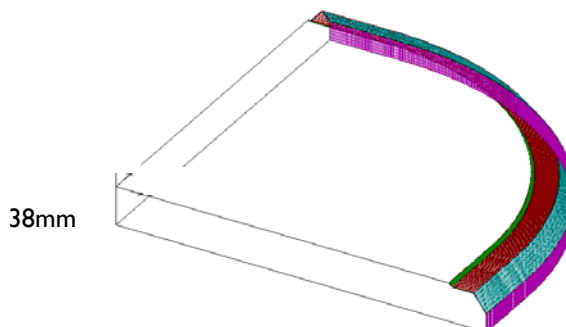


Ref: TUSRB3



Bevelled Cornice Corner piece is supplied as a solid piece and not as an arched

3D View



Base Unit Plinth also available for this shape. REF:TUSRP3

Straight Bevelled Cornice Lengths also available in 2.5m lengths Ref:TUSSBU

Cornice lengths and corner pieces also to be used as light pelmet

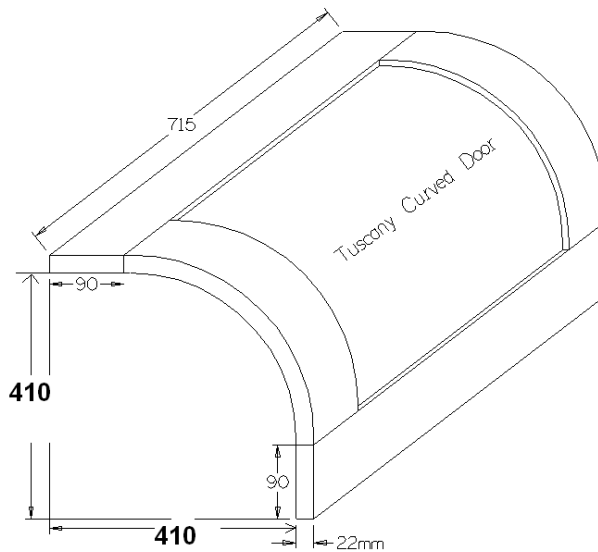
Templates for machining out curved shelves also available. REF TUSTP300



O&S Doors Ltd.

Tuscany 410 Unit Door & Cornice

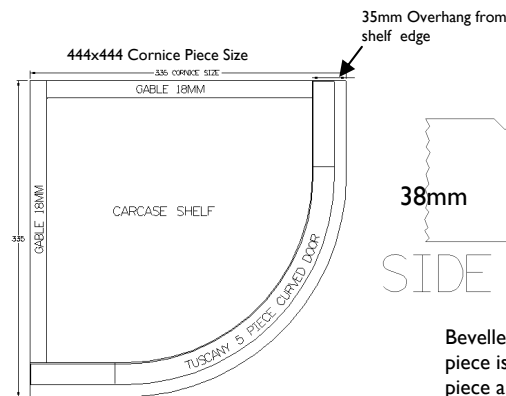
Door View



Available in 715 Only

Ref: TUSRD4715295

Top Cornice Bottom Pelmet

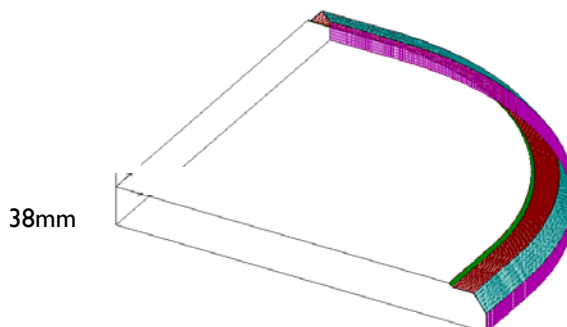


Ref: TUSRB4



Bevelled Cornice Corner piece is supplied as a solid piece and not as an arched

3D View



Base Unit Plinth also available for this shape. REF:TUSRP4

Straight Bevelled Cornice Lengths also available in 2.5m lengths Ref:TUSSBU

Cornice lengths and corner pieces also to be used as light pelmet

Templates for machining out curved shelves also available. REF TUSTP410



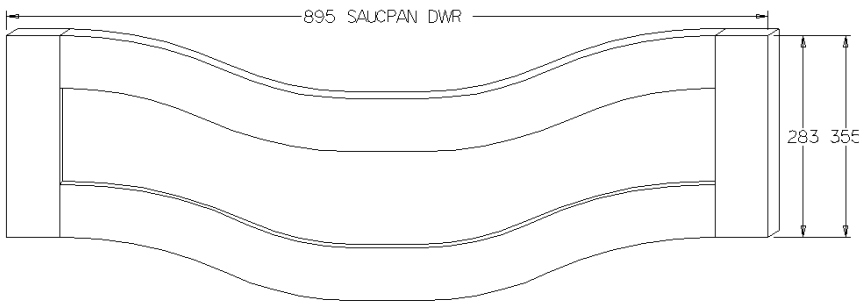
O&S Doors Ltd.

Tuscany

283x 895 , 355x895

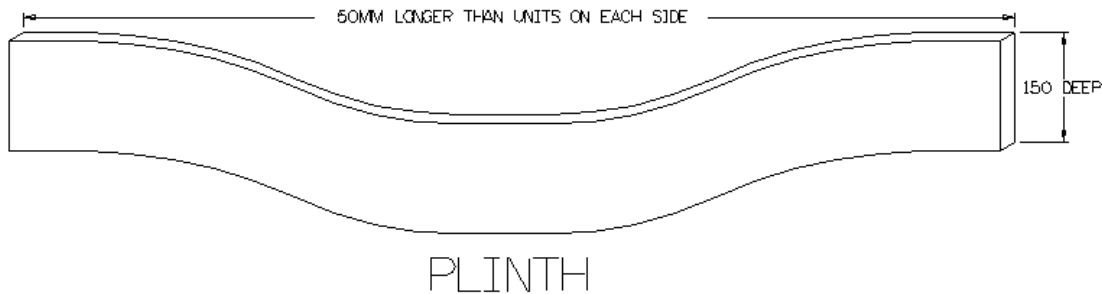
S Shaped Drawers

895 S Shaped Saucepan Drawers are available in 5 sizes 140,175's,215's 283's, 355's. Order as reference below.



- Ref: TUSSDW140895**
- Ref: TUSSDW175895**
- Ref: TUSSDW215895**
- Ref: TUSSDW283895**
- Ref: TUSSDW355895**

Drawer View



Base Unit Plinth also available for this shape. REF:TUSRP9

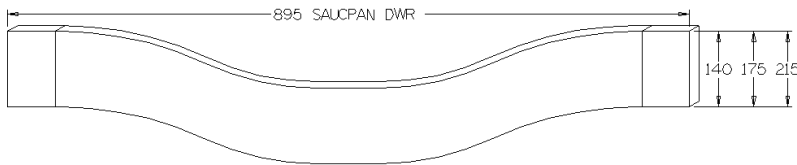
Templates for machining out curved shelves also available. Ref: TUSTP900



O&S Doors Ltd.

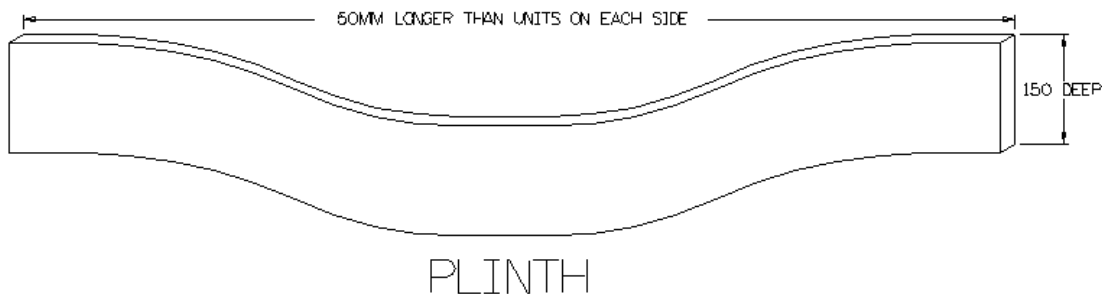
Tuscany 140x895, 175x895, 215x895 S Shaped Drawers

895 S Shaped Saucepan Drawers are available in 5 sizes 140,175's,215's 283's, 355's. Order as reference below.



- Ref: TUSSDW140895**
- Ref: TUSSDW175895**
- Ref: TUSSDW215895**
- Ref: TUSSDW283895**
- Ref: TUSSDW355895**

Drawer View



Base Unit Plinth also available for this shape. REF:TUSR9

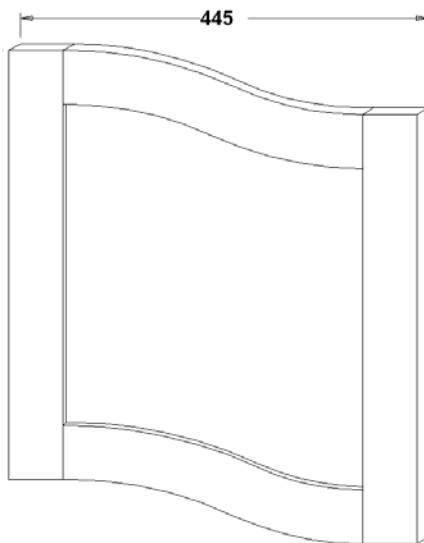
Templates for machining out curved shelves also available. Ref: TUSTP900



O&S Doors Ltd.

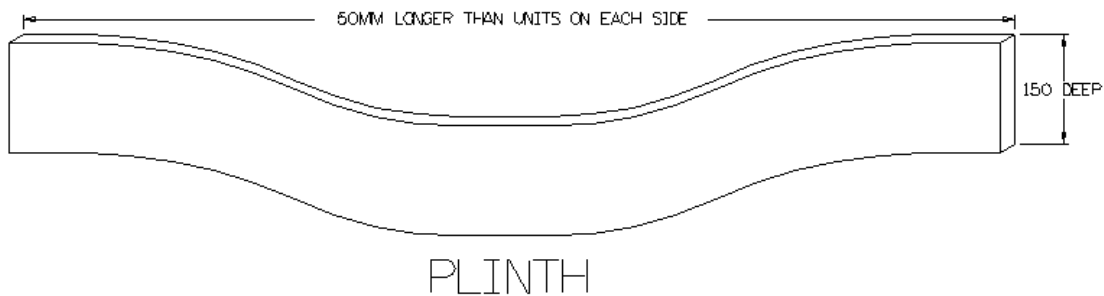
Tuscany 445 S Shaped Door

Tuscany S Shaped available in 715,895,1245,1495,1595,1965,2150 & 2250 Only.



- Ref: TUSSDR715445**
- Ref: TUSSDR895445**
- Ref: TUSSDR1245445**
- Ref: TUSSDR1495445**
- Ref: TUSSDR1595445**
- Ref: TUSSDR1965445**
- Ref: TUSSDR2150445**
- Ref: TUSSDR2250445**

Door View



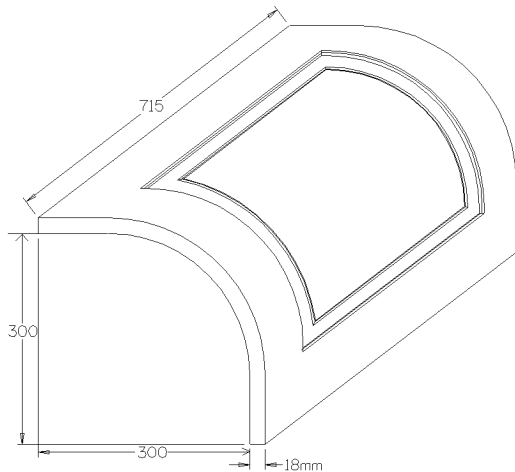
Base Unit Plinth also available for this shape. REF:TUSR9

Templates for machining out curved shelves also available. Ref: TUSTP900



O&S Doors Ltd.

Prague 300 Unit Door

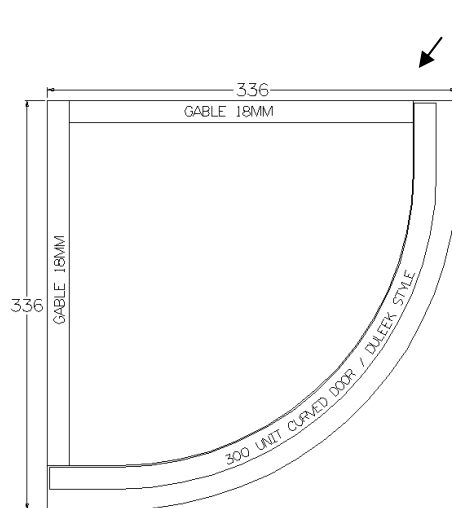


**715 ONLY
Ivory Back**

Ref: PRARD4715300

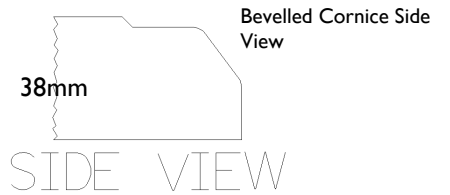
Door View

**Top Cornice
Bottom Pelmet**



35mm Overhang from shelf edge

Ref: PRARB3



Bevelled Cornice Corner piece is supplied as a solid piece and not as an arched

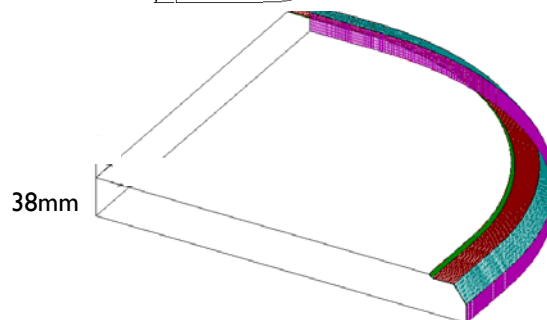
Base Unit Plinth also available for this shape. REF:PRARP4

Straight Bevelled Cornice Lengths also available in 2.5m lengths. Ref :PRASBU

Cornice lengths and corner pieces also to be used as light pelmet.

Templates for machining out curved shelves also available. Ref: PRATP300

3D View





O&S Doors Ltd.

Curved Cornice Images



S-Shaped Bevelled Cornice



Curved Unit Bevelled Cornice



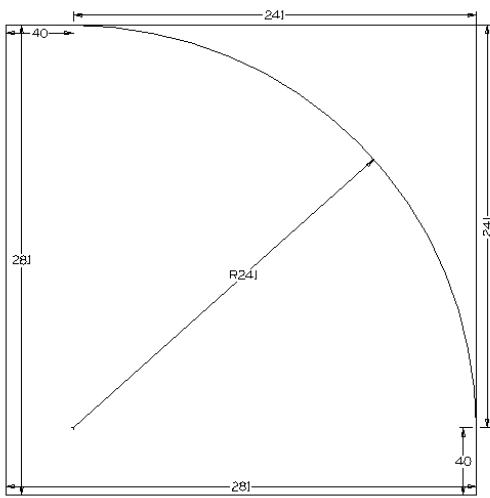
Straight Bevelled Cornice 2.5m Lengths

**THIS IS THE ONLY CORNICE & PELMET
AVAILABLE FOR CURVED DOORS**

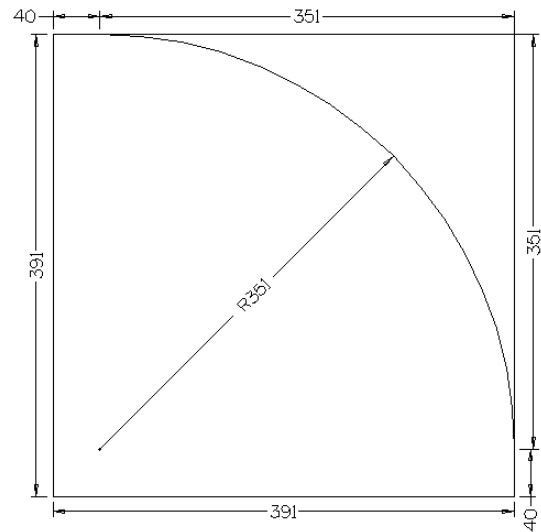


O&S Doors Ltd.

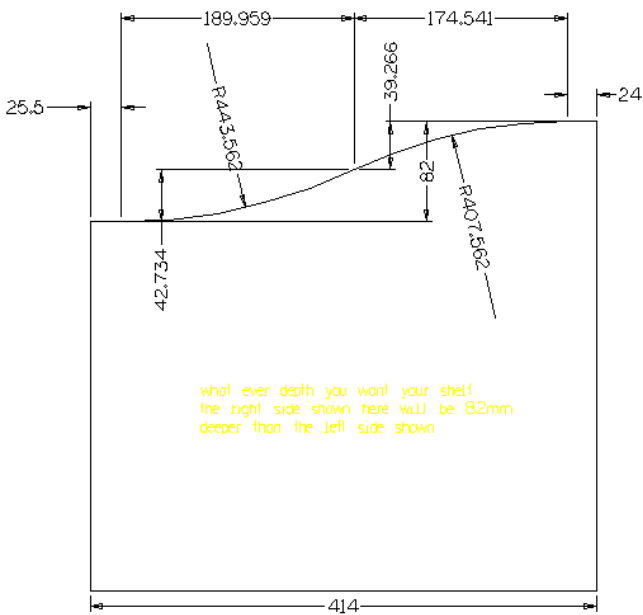
Duleek Technical



300 DULEEK UNIT SHELF TEMPLATE

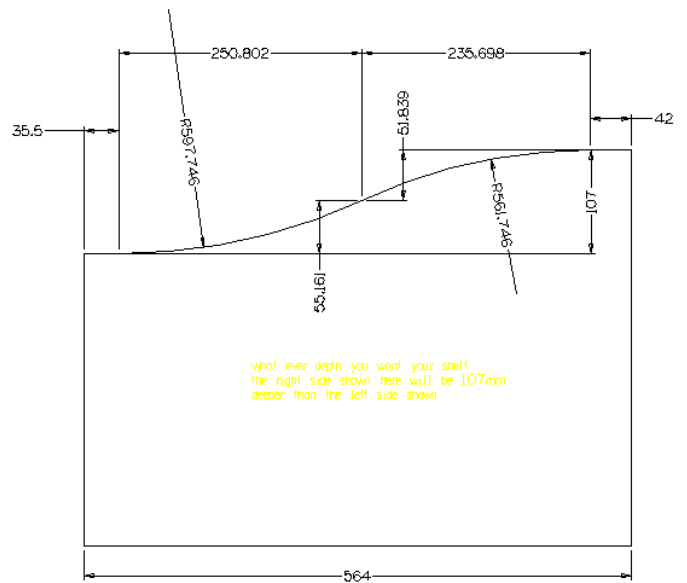


410 DULEEK UNIT SHELF TEMPLATE



what ever depth you want your shelf
the right side shown here will be 82mm
deeper than the left side shown

445 DULEEK UNIT SHELF TEMPLATE



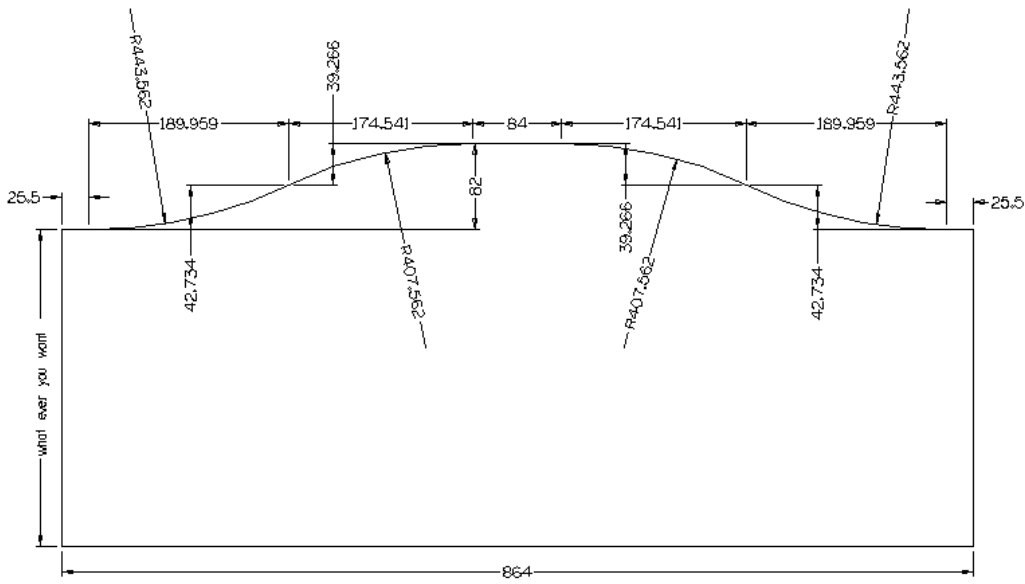
what ever depth you want your shelf
the right side shown here will be 107mm
deeper than the left side shown

595 DULEEK UNIT SHELF TEMPLATE

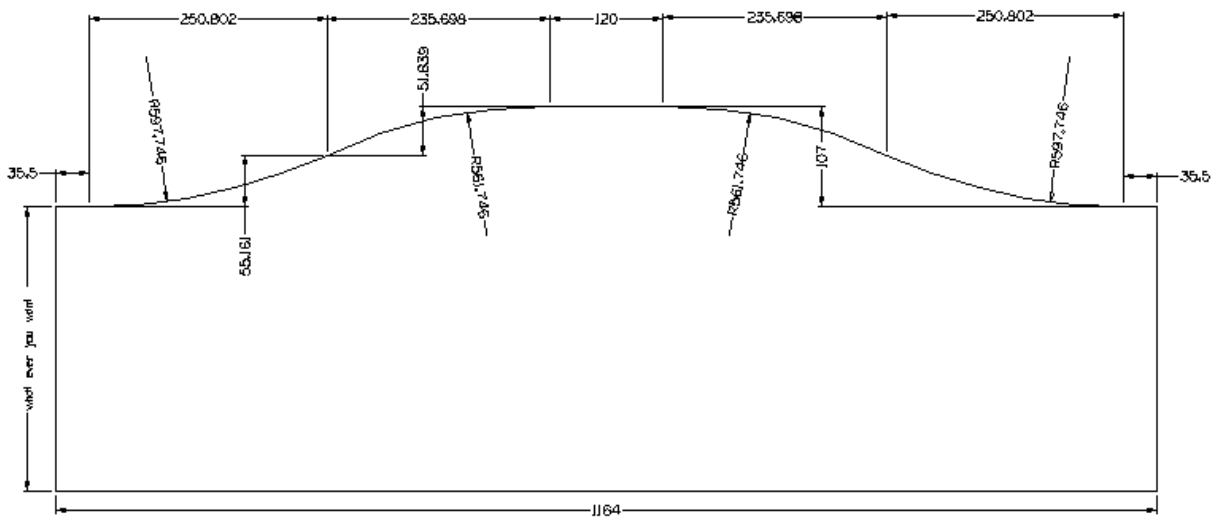


O&S Doors Ltd.

Duleek Technical



895 DULEEK UNIT SHELF TEMPLATE

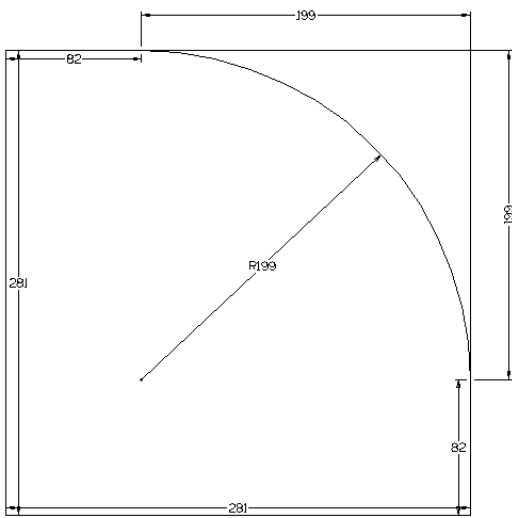


1195 DULEEK UNIT SHELF TEMPLATE

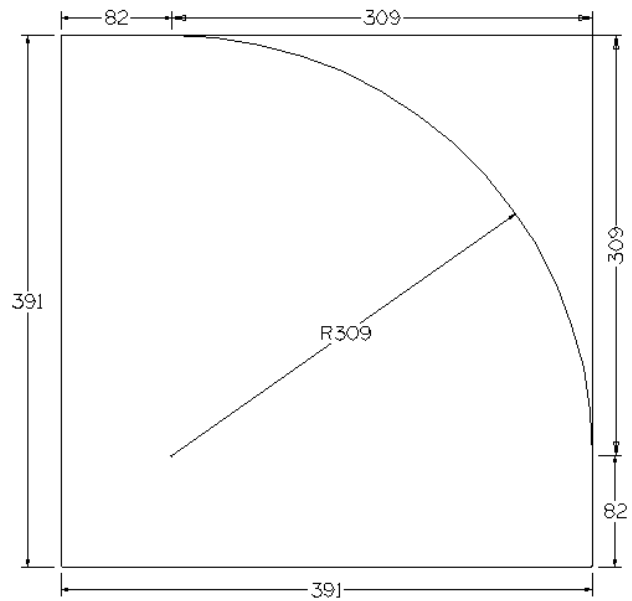


O&S Doors Ltd.

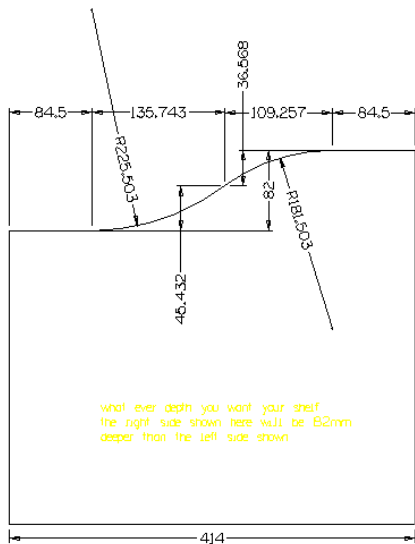
Tuscany Technical



300 TUSCANY UNIT SHELF TEMPLATE



410 TUSCANY UNIT SHELF TEMPLATE

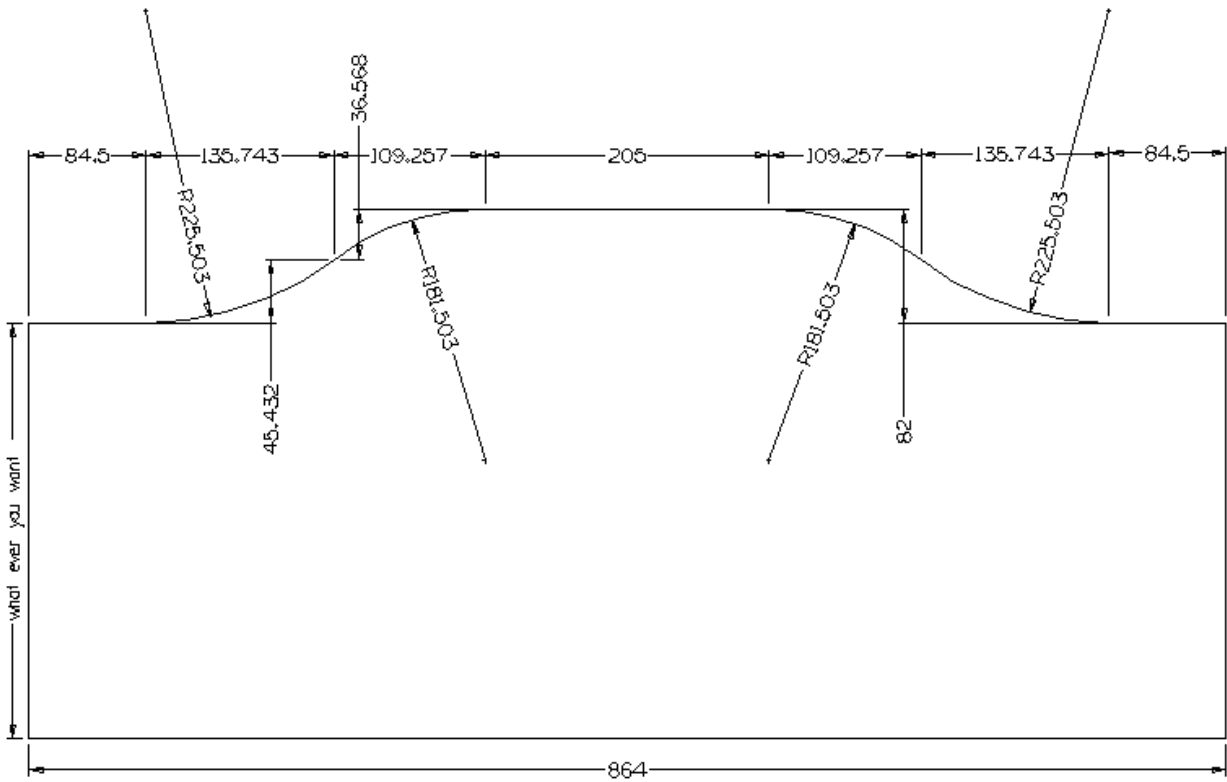


445 TUSCANY UNIT SHELF TEMPLATE



O&S Doors Ltd.

Tuscany Technical



895 TUSCANY UNIT SHELF TEMPLATE